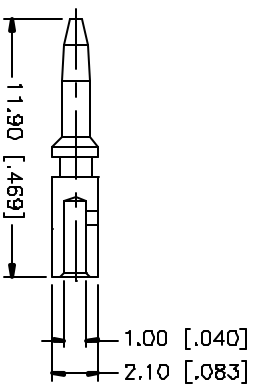
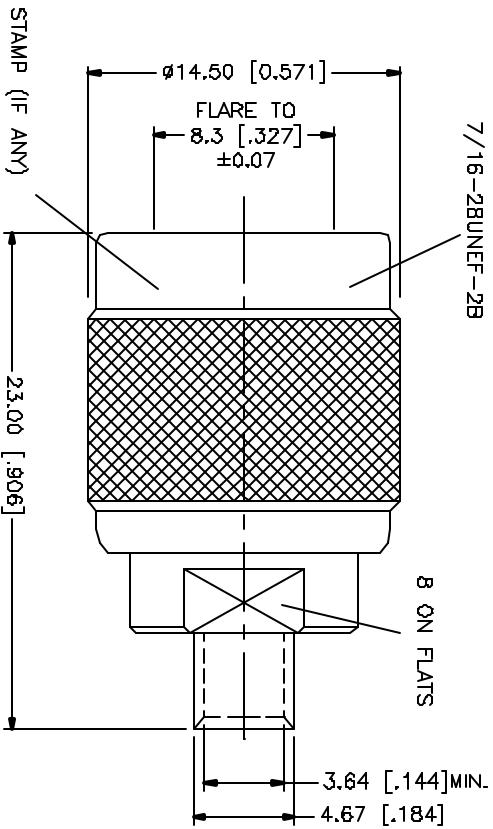
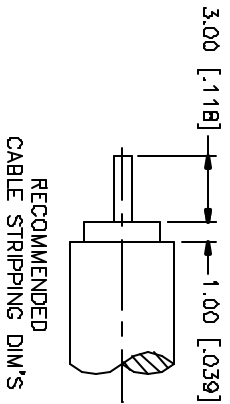


REV.	DATE	DESCRIPTION
A	11/08/04	ADD COUPLING NUT / CHANGE PLATING TO NICKEL



NOTE:  
1. CRIMPED CONTACT PIN  
HEX CRIMP SIZE .068"

QTY	FINISH	MATERIAL	DESCRIPTION
1	NICKEL	BRASS	COUPLING NUT
1	GOLD	BRASS	CONTACT PIN
1	NICKEL	TEFLON	INSULATOR
1	NICKEL	BRASS	BODY

UNLESS OTHERWISE SPECIFIED DIMENSIONS ARE IN MILLIMETERS DIMENSIONS IN INCHES ARE NOTED AND FOR CUSTOMER REFERENCE ONLY.	APPROVALS	DATE	<b>Amphenol Connex</b> TNC DIRECT SOLDER PLUG (FOR .141" SEMI RIGID CABLE) PART NO. 122386
DRAWN C.R.S.	11/08/04		
CHECKED			
ISSUED			
SHEET 1 OF 1			

UNLESS OTHERWISE SPECIFIED DIMENSIONS ARE IN MILLIMETERS DIMENSIONS IN INCHES ARE NOTED AND FOR CUSTOMER REFERENCE ONLY.	DO NOT SCALE DRAWING	QAD FILE C:/122/122386.DWG	DWG. NO. 122386.DWG	REV. A	SIZE A	SCALE NA
--	----------------------	----------------------------	---------------------	--------	--------	----------